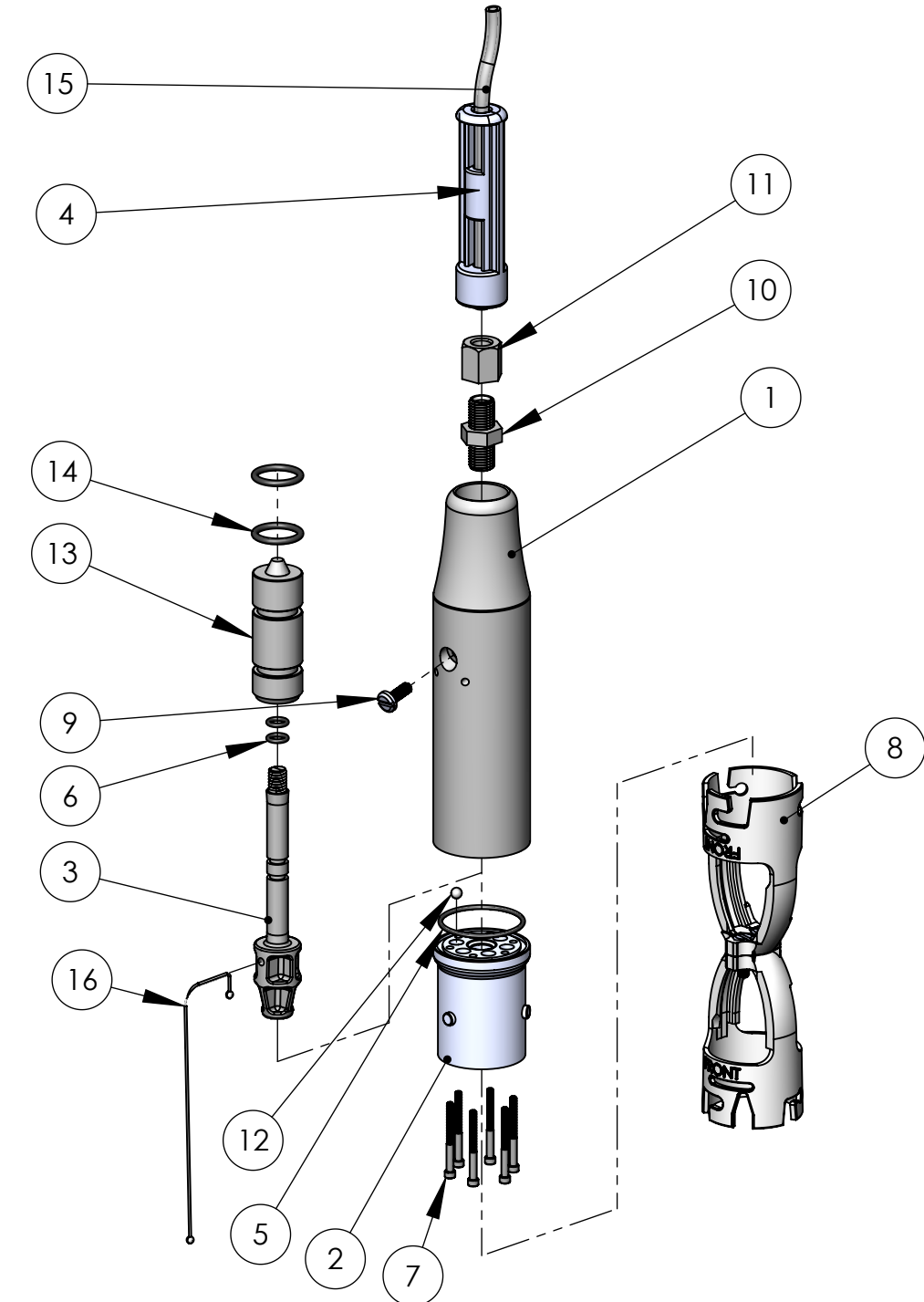
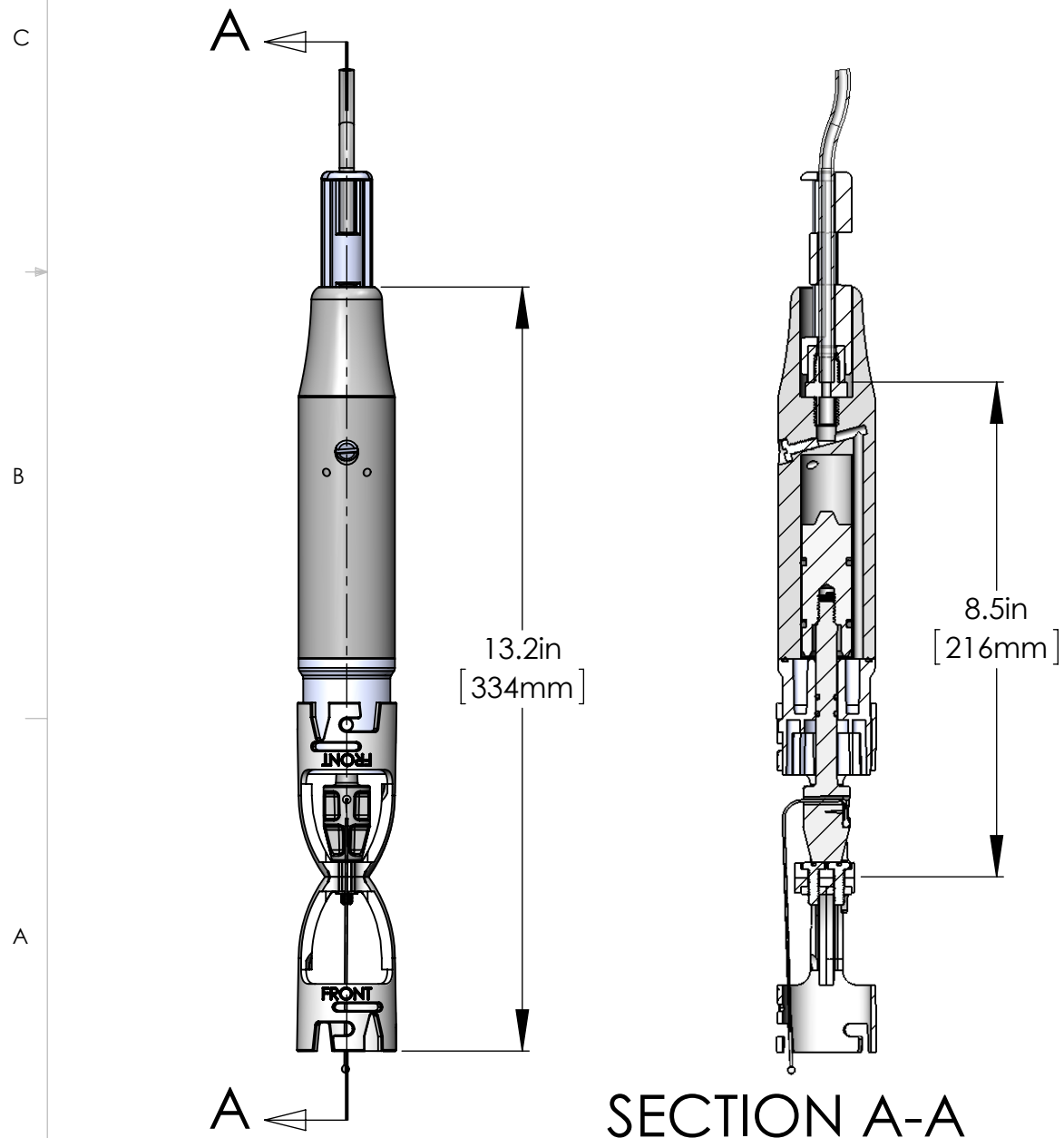


ITEM NO.	DESCRIPTION	QTY.
1	PNEUMATIC CYLINDER (MACHINED)	1
2	PNEUMATIC BASE	1
3	MOLDED PLUNGER	1
4	AIR-LINE WRENCH TOOL	1
5	PNEUMATIC BASE O-RING	1
6	PLUNGER STEM O-RING	2
7	4-40 SHCS (S.S.)	6
8	TWIST-ON CONNECTOR	2
9	MACHINE SCREW (VENT PLUG)	1
10	CONNECTOR TUBE FITTING (BODY)	1
11	CONNECTOR TUBE FITTING (NUT)	1
12	CHECK VALVE BALL (VITON)	1
13	MACHINED PLUNGER	1
14	MACHINED PLUNGER O-RING	2
15	AIR-LINE TUBE	1
16	CONNECTOR CABLE (S.S. OR PLASTIC)	1

FOR ILLUSTRATION ONLY  
 NO USER DISASSEMBLY REQUIRED. AIRTUBE  
 ATTACHMENT (PARTS 4, 11, & 15) IS THE ONLY  
 ASSEMBLY REQUIRED FOR USE.



**PROPRIETARY AND CONFIDENTIAL**  
 THE INFORMATION CONTAINED IN THIS DRAWING IS THE SOLE  
 PROPERTY OF PROHYDRO INC. ANY REPRODUCTION IN PART OR  
 AS A WHOLE WITHOUT THE WRITTEN PERMISSION OF PROHYDRO  
 INC. IS PROHIBITED.

UNLESS OTHERWISE SPECIFIED:  
 DIMENSIONS ARE IN INCHES  
 TOLERANCES:  
 FRACTIONAL:  $\pm 1/16$   
 ANGULAR: 1°  
 TWO PLACE DECIMAL:  $\pm 0.01$   
 THREE PLACE DECIMAL:  $\pm 0.005$   
 INTERPRET GEOMETRIC  
 TOLERANCING PER:  
 ASME Y14.5-2009  
 MATERIAL  
 FINISH  
 DO NOT SCALE DRAWING

DRAWN	NAME	DATE
	MAB	01/02/13
CHECKED		
ENG APPR.		
MFG APPR.		
Q.A.		
COMMENTS:		
1in [25.4mm]		

ProHydro, Inc.  
 MADE IN THE USA | 585-385-0023 | www.prohydro.com  
 TITLE:  
**PNEUMATIC ACTUATOR**  
 SIZE PART NO. REV  
**B**  
 SCALE: 1:3 WEIGHT: SHEET 1 OF 1