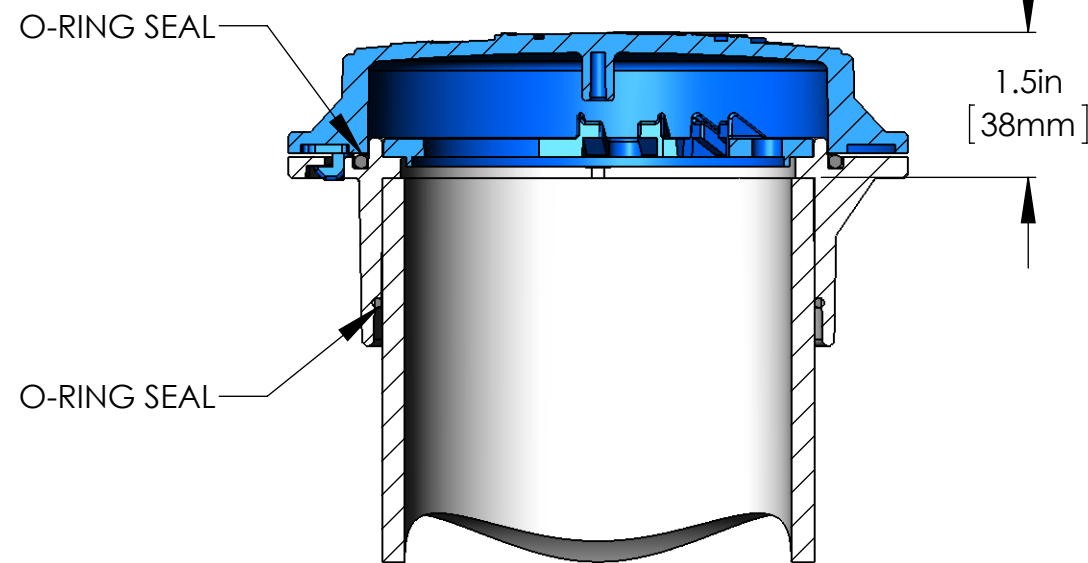
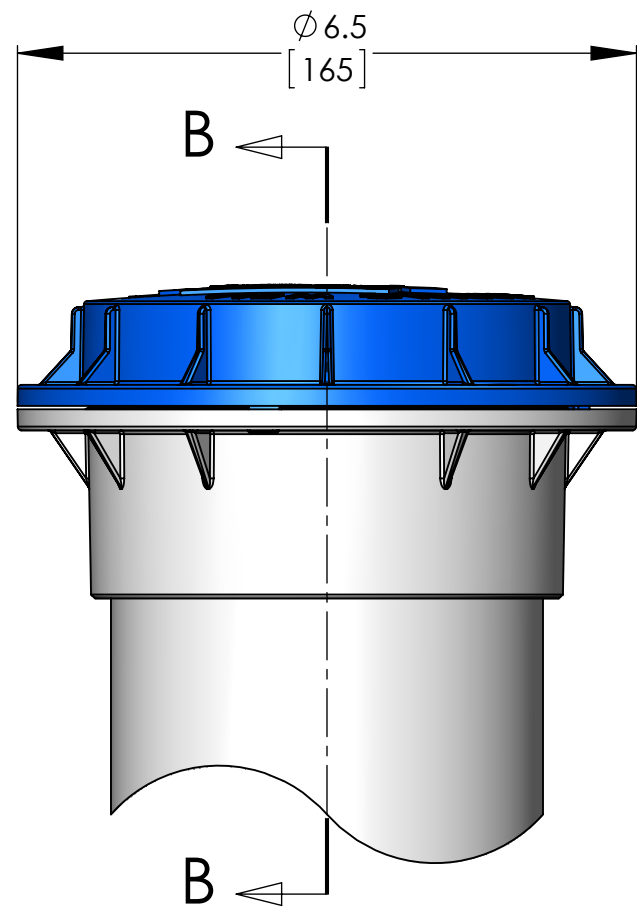
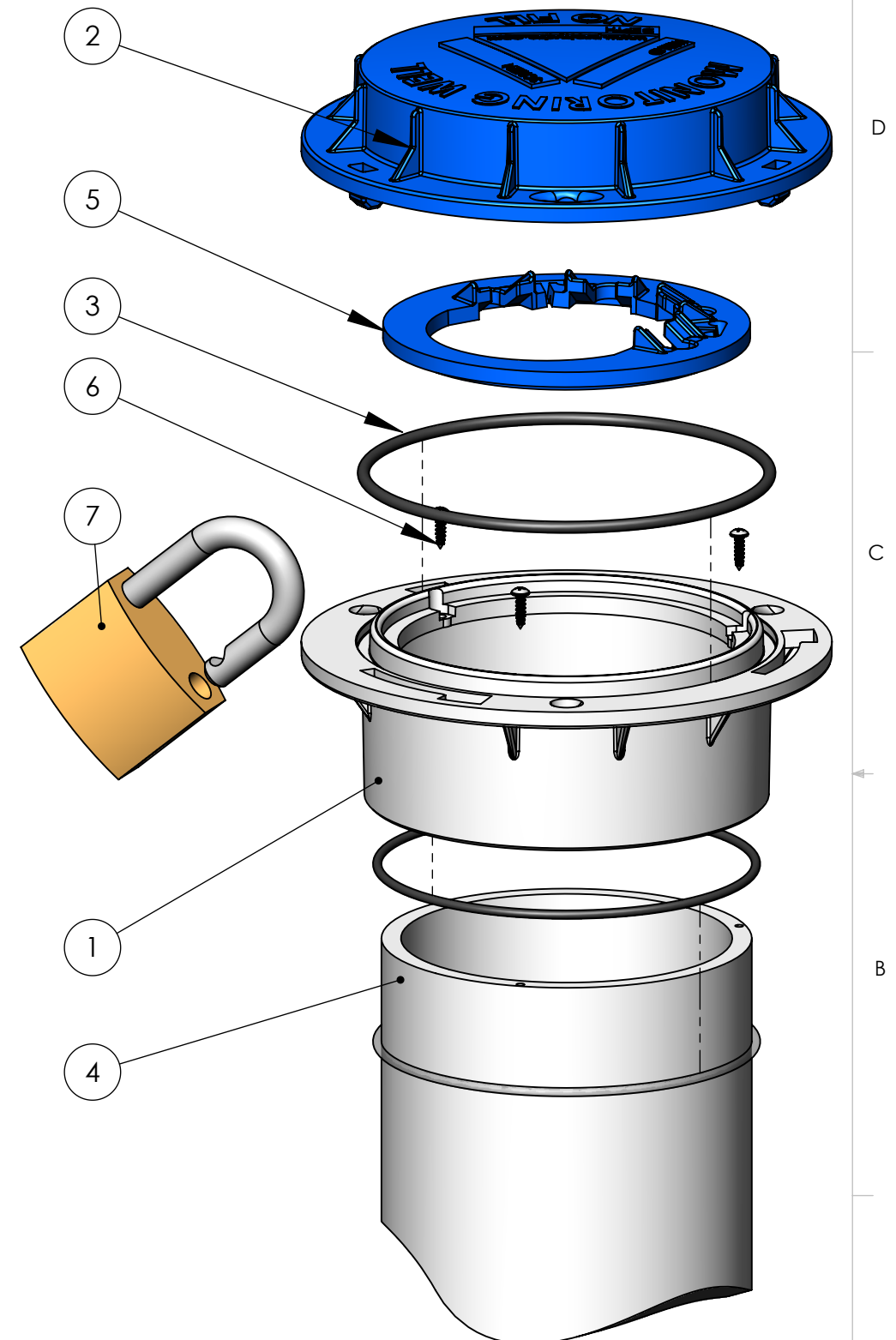
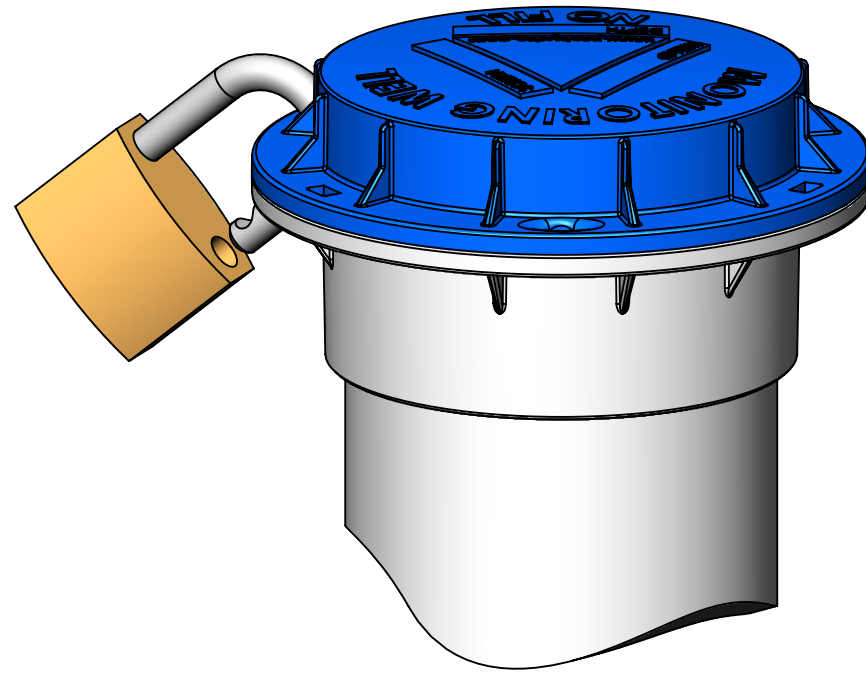


ITEM NO.	DESCRIPTION	QTY.
1	4" WELL DOCK BASE	1
2	4" WELL DOCK CAP	1
3	VITON O-RING	2
4	4" WELL RISER PIPE	1
5	4" WELL DOCK EQUIPMENT SUPPORT RING	1
6	410 SS SCREW (MAGNETIC)	3
7	PADLOCK (EXAMPLE; NOT INCLUDED)	1



SECTION B-B

UNLESS OTHERWISE SPECIFIED:
 DIMENSIONS ARE IN INCHES
 TOLERANCES:
 FRACTIONAL: $\pm 1/16$
 ANGULAR: 1°
 TWO PLACE DECIMAL: ± 0.01
 THREE PLACE DECIMAL: ± 0.005
 INTERPRET GEOMETRIC TOLERANCING PER:
 ASME Y14.5-2009

DRAWN	NAME	DATE
MAB	MAB	01/02/13
CHECKED		
ENG APPR.		
MFG APPR.		
Q.A.		
COMMENTS:	1in [25.4mm]	
DO NOT SCALE DRAWING		

<i>ProHydro, Inc.</i>		
<small>MADE IN THE USA 585-385-0023 www.prohydro.com</small>		
TITLE: 4" WELL CAP ASSEMBLY		
SIZE	PART NO.	REV
B		
SCALE: 1:2	WEIGHT:	SHEET 2 OF 2

PROPRIETARY AND CONFIDENTIAL
 THE INFORMATION CONTAINED IN THIS DRAWING IS THE SOLE PROPERTY OF PROHYDRO INC. ANY REPRODUCTION IN PART OR AS A WHOLE WITHOUT THE WRITTEN PERMISSION OF PROHYDRO INC. IS PROHIBITED.